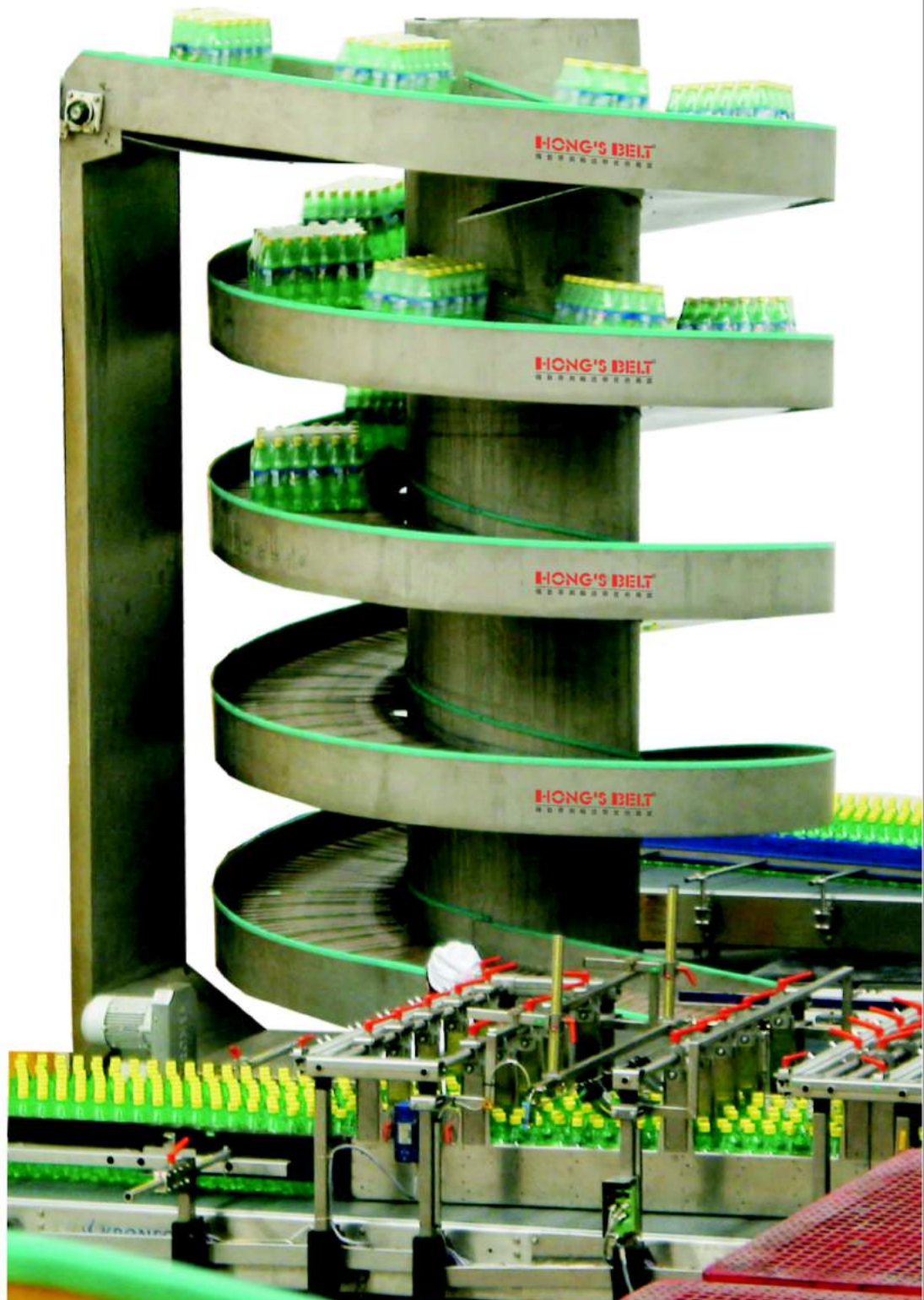
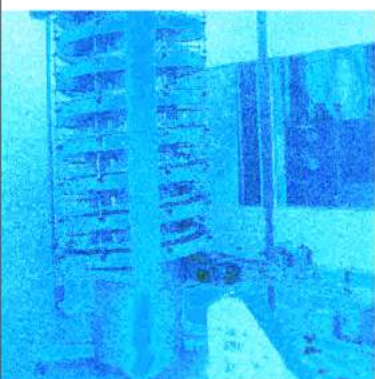
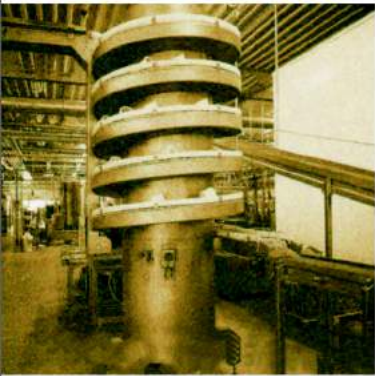


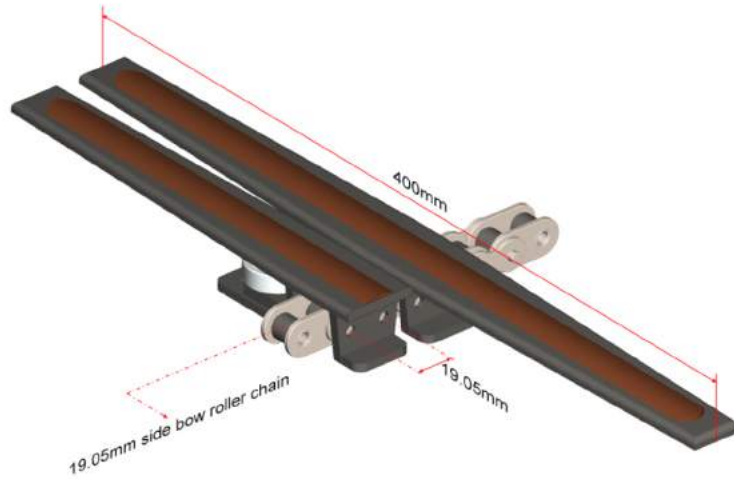


บริษัท คอนเวเยอร์ไกด์ จำกัด
CONVEYOR GUIDE CO.,LTD.

Product: Plate-chain Spiral Conveyer



Pitch: 19.05mm (3/4 inch)
 Minimum width: 400mm
 Open area: --
 Certification: --
 Rod: --
 Anti-skid layer:
 Side Guard: none
 Spiral curve: yes



Basic Parameters

Belt material	Belt Strength Kg/M (BW)		Temperature		Turning radius
	Belt Strength Kg/M (BW)	Total load (kg)	°C (min.)	°C (max.)	mm (Min)
Carbon steel	3500	600	-40	93	650
Stainless steel	2800	480	-40	93	650

Color table

Polypropylene					Polyethylene					Acetal				
W	G	N	DB	B	W	G	N	DB	B	BL	G	N	DB	B
										●				

W-white, G-grey, N-natural, DB- dark brown, B-blue

Notes:

1. Carbon steel HS-2200A is 30m long and stainless steel HS-2200A is 14m long to the maximum degree.
2. Maximum speed: 60 m/minute.
3. Packaging: 3.048 m/piece

About HS-2200A Spiral Conveyor Belt

HS-2200A spiral plate-chain conveyor belt is a high-quality conveyor belt developed by HONGSBELT International (HK) Limited., with composite plastic materials as raw materials, featuring abrasion resistance and long service life. For the products with large inclination angle, it provides HS-2200A-EL friction block plate chain for selection. Inner-edge bearings are world famous brand, except for lubrication degree, are much better than general bearings, and the bearing rigidity is much better than other brands.

HS-2200A spiral plate-chain conveyor

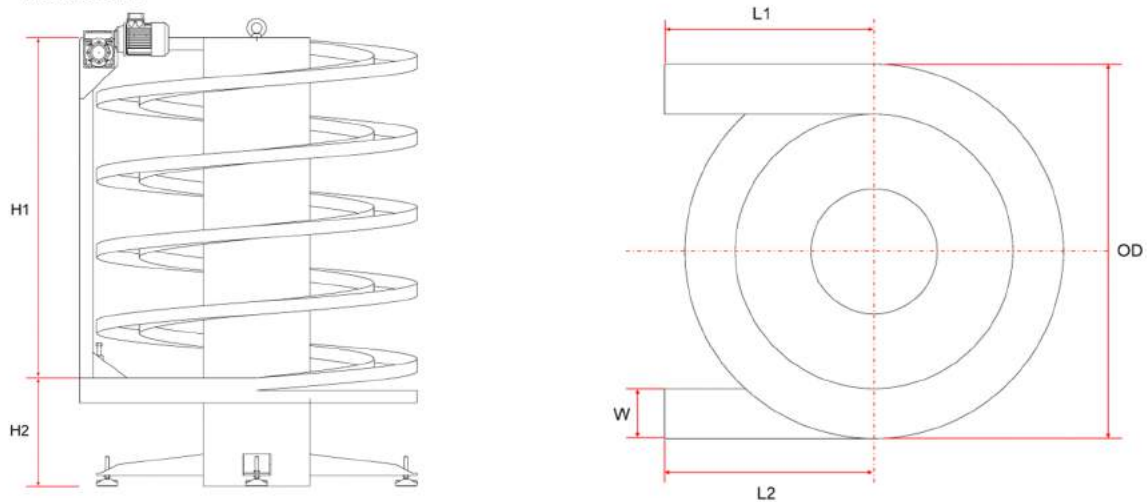
- hongsbelt can be replaced with general spiral plate-chain conveyor belts, widely used in 3/4 inch pitches. Even other

brands can also choose HS-2200A spiral plate-chain conveyor belt for maintenance and replacement, so it has compatibility in maintenance.

- HS-2200A spiral plate-chain conveyor can transmit upward or downward in the form of spiral curve in the smallest space, and greatly save the layout space, so it is very suitable for automatic warehousing system, continuous conveyor between floors, temporary storage and slow transmission, and sluggish cooling, etc.
- HS-2200A spiral plate-chain conveyor adopts light design to reduce the overall weight, but in the structure, it will not lose loading efficiency due to light weight, and it still has higher loading capacity. Due to simplified structural design, it is easy to lubricate and maintain the machine. (Please contact with the Company's Customer Service Department for related design parameters)

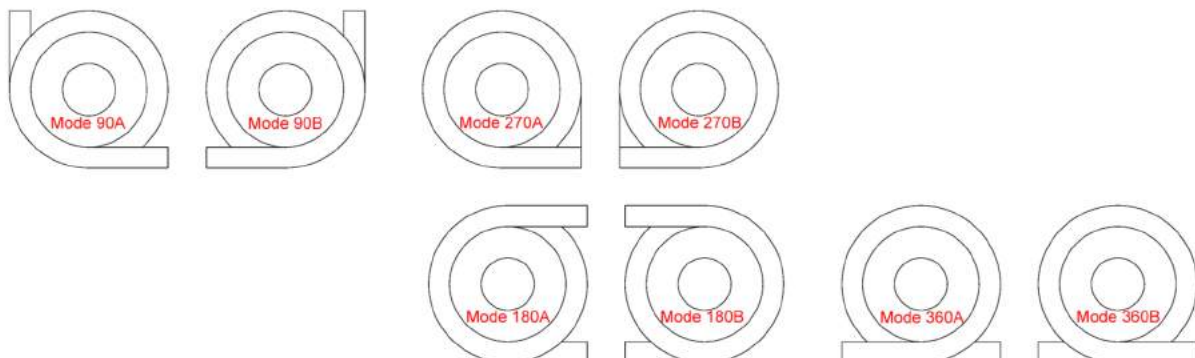
Size description of HS-2200A spiral plate-chain conveyor

- Fixed size $W=420\text{mm}$ (effective width: 400mm), please tell us your required size according to the following illustration.



■ Requirements of height and layer

1. Please fill in your required head size $H1$ and bottom exit/entrance height $H2$, and describe uphill or downhill transmission needs.
2. The maximum production height is 6m and maximum winding layer is 10 layers; for the changes of inclination angle caused by height and layers, please contact with the Company's Customer Service Department.
3. The external dimension (OD) is $1,720\text{mm}$; please see attached table and diagram for exit/entrance Mode N.
4. Please specify the inclination degree for smooth transmission, or describe the texture of relevant transmission materials.
5. Please specify the volume of transmission objects, and direction of conveyed objects.
6. Please specify dry and wet environment and temperature difference.
7. Please specify the voltage and current frequency.

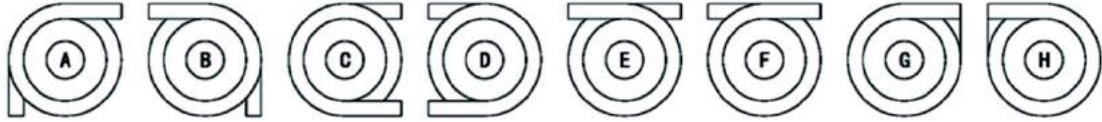


■ Maximum bearing capacity

1. It can adopt carbon steel paint and stainless steel respectively. Due to the operating environment requirements, it can also use carbon steel chain and stainless steel chain for the transmission.
2. It should be noted that total load of carbon steel chain and stainless steel chain is less than 750KG and 600KG respectively.
3. Please specify the maximum load and conveying speed, so that the Company's Design Department can choose the best drive motor for you. If you need to change the speed, please indicate in advance, thus we will configure the speed-regulating system for you.
4. The maximum transmission speed is $60\text{M}/\text{min}$. For the transmission speed above $30\text{M}/\text{min}$, it must be installed with automatic lubrication device, in order to extend the service life.

Questionnaire

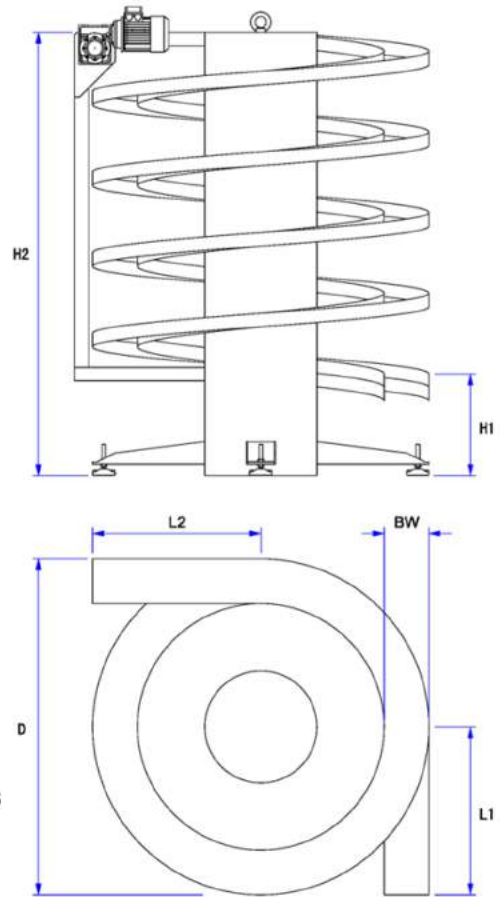
■ Description of exit/entrance model



- Please select your required exit/entrance direction and fill in the code : A B C D E
F G H

■ Please describe various parameters according to the following sequence.

1. H1 : _____ mm
2. H2 : _____ mm
3. B_w : 400 mm
4. D : 1720 mm
5. L1 : _____ mm
6. L2 : _____ mm
7. Length(unit product): _____ mm
8. Width(unit product): _____ mm
9. Height(unit product): _____ mm
10. Weight(unit product): _____ Kg
11. Package(unit product): _____ (description)
12. Maximum speed: _____ M/minute
13. Need to change the speed: Fixed speed Yes
14. Transmission direction: Uphill Downhill
15. Texture: Stainless steel Carbon steel paint



■ Special instructions:

- The maximum height is 6M, and spiral layer is 10 layers.
- It should be noted that total load of carbon steel chain and stainless steel chain is less than 750KG and 600KG respectively.
- The maximum transmission speed is 60M/min. For the transmission speed above 30M/min, it must be installed with automatic lubrication device, in order to extend the service life.



บริษัท คอนเวเยอร์ไกด์ จำกัด
CONVEYOR GUIDE CO.,LTD

E-mail: info@conveyorguide.co.th

www.conveyorguide.co.th

Line ID: @cg1356 Tel: 090-907-6077 , 02-992-1025 / Fax.02-992-1022

